

# HDMI 2.0 Audio Extractor, 4K@60HZ YUV4:4:4

## Operating Instructions



### Dear Customer

Thank you for purchasing this product. For optimum performance and safety, please read these instructions carefully before connecting, operating or adjusting this product. Please keep this manual for future reference.

### FEATURES

- Three Audio EDID Settings: Auto/2.0 CH/5.1CH
- Extract the digital HDMI audio signal from the HDMI input to 2 channel analog stereo output or 5.1 channel Audio output
- Support PCM and Dolby DTS
- Supports resolution up to 4K@60Hz YUV4:4:4
- Supports deep color up to 36bit
- HDCP2.2/1.4 Compliant
- Support CEC
- Support firmware updating through USB port

### NOTICE

Our company reserves the right to make changes in the hardware, packaging and any accompanying documentation without prior written notice.

## TABLE OF CONTENTS

Specifications

Package Contents

Panel Descriptions

Connecting and Operating

Application Diagram

Maintenance

Product service

Warranty

## SPECIFICATIONS

Operating Temperature Range	-5 to +35°C(+23 to +95°F)
Operating Humidity Range	5 to 90%RH (No Condensation)
Input Video Signal	0.5-1.0 Volts P-P
Input DDC Signal	5 volts p-p(TTL)
Support Video format	4Kx2K/1080P/1080i/720P/576P/576i/480P/480i 3D video
Support Video Color Format	xv-YCC/deep color 36bit
Support Audio Format	PCM、DTS-HD Master Audio、Dolby true-HD etc.
Data transfer speed rate	18Gbps (Maximum)
Power consumption	2watts(Maximum)
Dimension (L×W×H)	104.4x64x28.3mm
Net Weight	175g

Note: Specifications are subject to change without notice. Mass and dimensions are approximate.

## PACKING CONTENTS

- 1) Main Unit. Mini 4K HDMI Audio Extractor
- 2) DC 5V Power Supply
- 3) Operating Instructions

**Mail-In Service**

When shipping the unit carefully pack and send it prepaid, adequately insured and preferably in the original carton. Include a letter detailing the complaint and provide a day time phone and/or email address where you can be reached.

**LIMITED WARRANTY LIMITS AND EXCLUSIONS**

1) This Limited Warranty ONLY COVERS failures due to defects in materials or workmanship, and DOES NOT COVER normal wear and tear or cosmetic damage. The Limited Warranty ALSO DOES NOT COVER damages which occurred in shipment, or failures which are caused by products not supplied by warrantor, or failures which result from accidents, misuse, abuse, neglect, mishandling, misapplication, alteration, faulty installation, set-up adjustments, maladjustment of consumer controls, improper maintenance, power line surge, lightning damage, modification, or service by anyone other

than a Factory Service center or other Authorized Servicer, or damage that is attributable to acts of God.

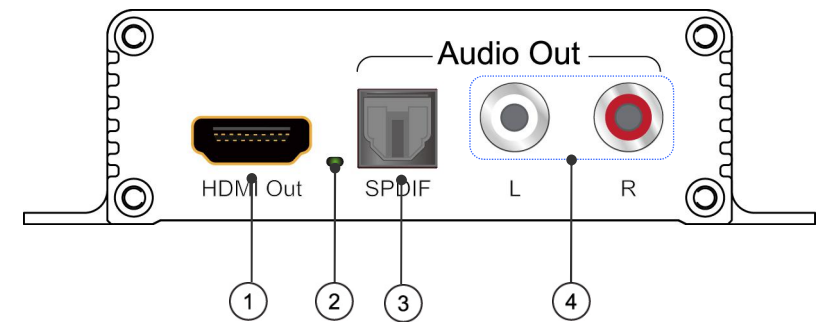
2) THERE ARE NO EXPRESS WARRANTIES EXCEPT AS LISTED UNDER "LIMITED WARRANTY COVERAGE". THE WARRANTOR IS NOT LIABLE FOR INCIDENTAL OR CONSEQUENTIAL DAMAGES RESULTING FROM THE USE OF THIS PRODUCT, OR ARISING OUT OF ANY BREACH OF THIS WARRANTY.

(As examples, this excludes damages for lost time, cost of having someone remove or re-install an installed unit if applicable, travel to and from the service, loss of or damage to media or images, data or other recorded content. The items listed are not exclusive, but are for illustration only.)

3) PARTS AND SERVICE, WHICH ARE NOT COVERED BY THIS LIMITED WARRANTY, ARE YOUR RESPONSIBILITY.

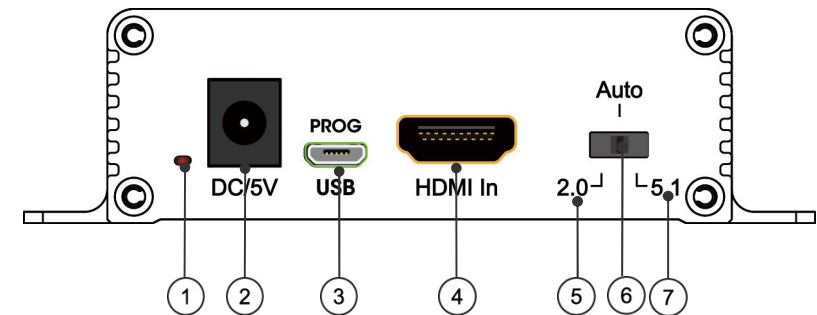
**PANEL DESCRIPTIONS**

**Front Panel**



- 1) HDMI output
- 2) HDMI out indicator
- 3) SPDIF Audio output
- 4) Analog Audio output

**Back Panel**



- 1) Power indicator
- 2) DC 5V
- 3) USB micro 5P port for upgrading the firmware.
- 4) HDMI input
- 5) Switch to 2.0CH Audio
- 6) Switch to Auto mode (by pass)
- 7) Switch to 5.1CH Audio

### Connecting and Operating

- 1) Connect the HDMI signal source (Such as PS3, STB etc) into HDMI input of 4K HDMI Audio Extractor.
- 2) Connect the HDMI display device (such as: HD-LCD, HD-DLP) into HDMI output of 4K HDMI Audio Extractor.
- 3) Connect Optical audio cable or RCA audio cable to Amplifier.
- 4) Connect DC 5V power to the 4K HDMI Audio Extractor.

Attention: Insert/Extract cable gently

### Application Diagram



### MAINTENANCE

Clean this unit with a soft, dry cloth. Never use alcohol, paint thinner or benzene to clean this unit.

### PRODUCT SERVICE

- 1) **Damage requiring service:** The unit should be serviced by qualified service personnel if:
  - (a) The DC power supply cord or AC adaptor has been damaged;
  - (b) Objects or liquids have gotten into the unit;
  - (c) The unit has been exposed to rain;
  - (d) The unit does not operate normally or exhibits a marked change in performance;
  - (e) The unit has been dropped or the cabinet damaged.
- 2) **Servicing Personnel:** Do not attempt to service the unit beyond that described in these operating instructions. Refer all other servicing to authorized servicing personnel.
- 3) **Replacement parts:** When parts need replacing ensure the servicer uses parts specified by the manufacturer or parts that have the same characteristics as the original parts. Unauthorized substitutes may result in fire, electric shock, or other hazards.
- 4) **Safety check:** After repairs or service, ask the servicer to perform safety checks to confirm that the unit is in proper working condition.